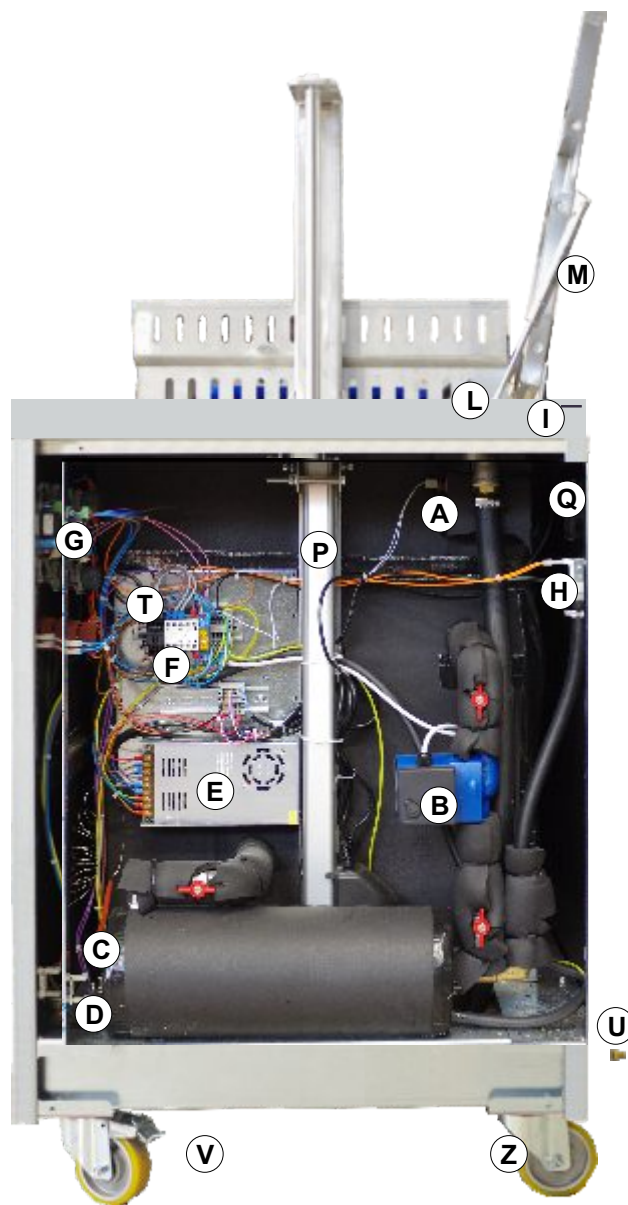
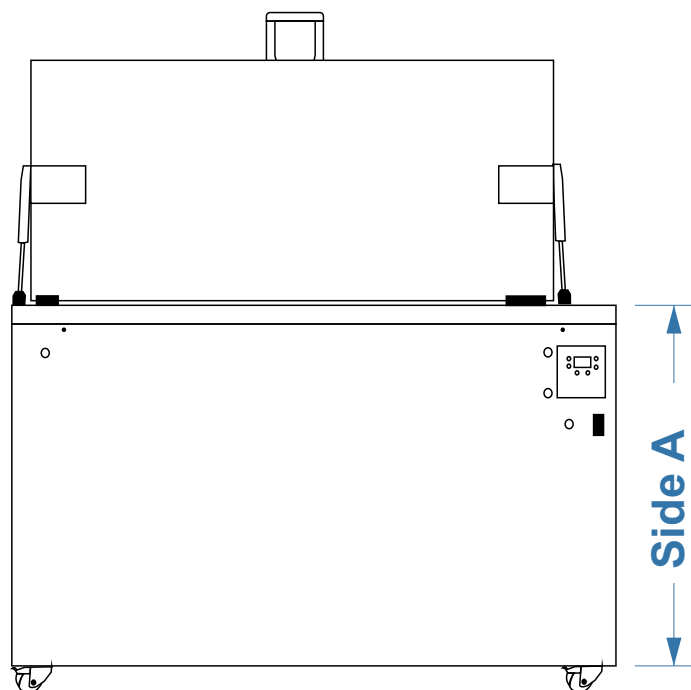


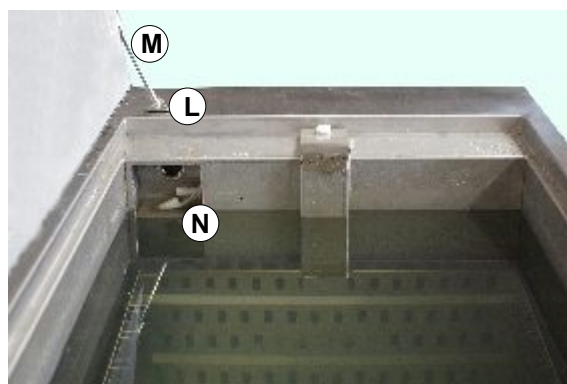
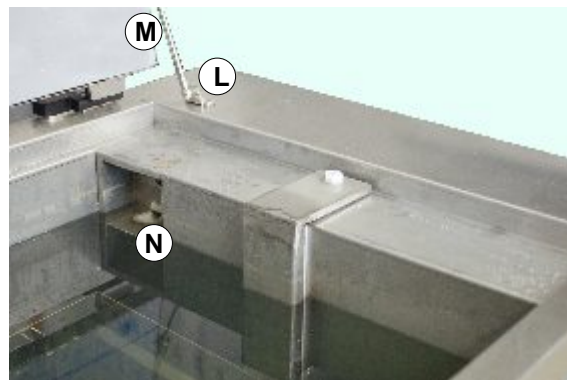
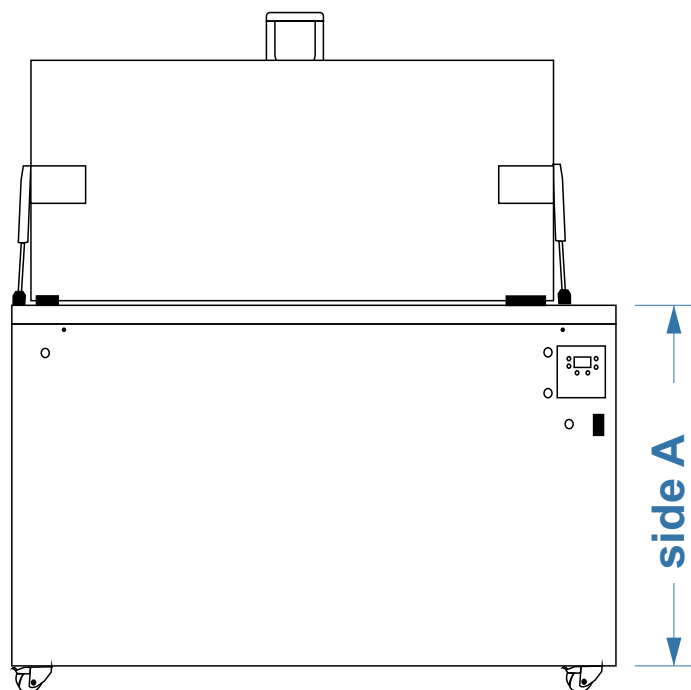
# EXPLODED VIEW OF SPARE PARTS MULTI WASH MW 4 UP



## External side A

- A - Level probe
- B - Circulation pump
- C - Heating elements
- D - Safety bulb thermostat
- E - Electrical actuator transformers
- F - Contactor
- G - Control unit
- H - Electrovalve 1 input water load
- I - Hinge with micro for MW UP
- L - Inox brackets for piston MW EKO -STD- UP
- M - Lid lifting piston MW STD and MW UP
- P - Linear actuator left/right for basket lifting
- Q - Motorised bearing
- T - Fuse box  
(no. 3 of 10A / no.1 of 4A)
- U - Equipotential screw
- V - Rolling wheel with brake
- Z - Rolling wheel without brake

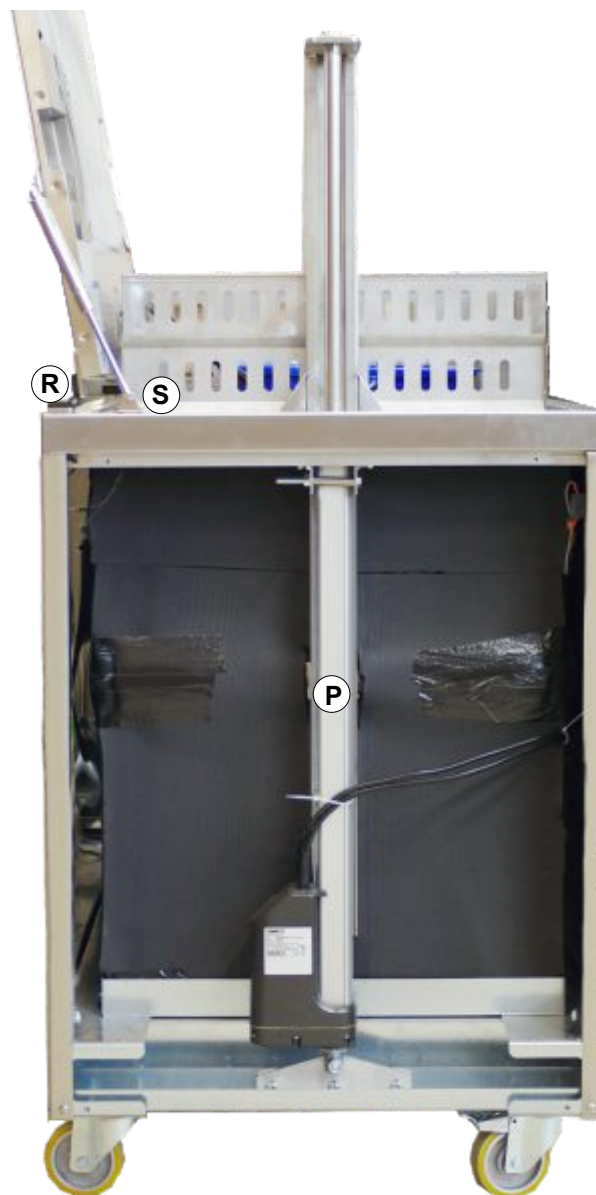
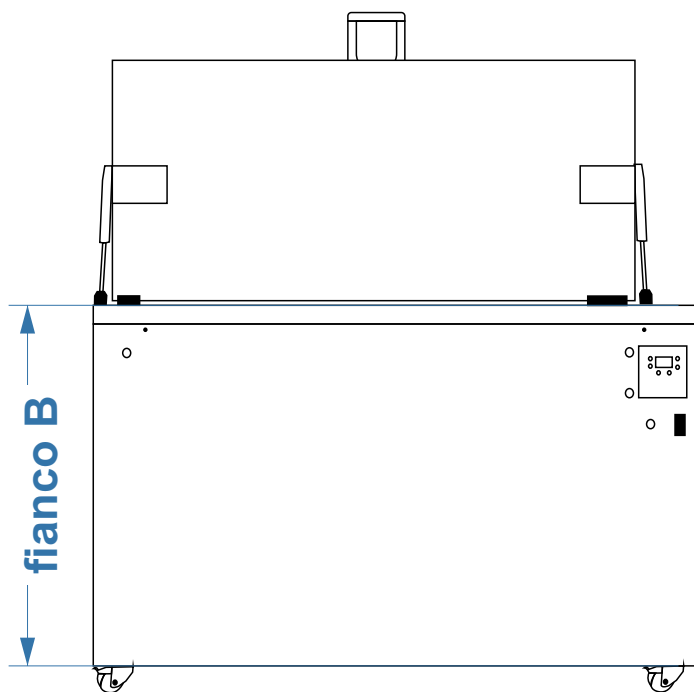
# EXPLODED VIEW OF SPARE PARTS MULTI WASH MW 4 UP



## internal side A

- L - Inox brackets for piston MW EKO -STD- UP
- M - Lid lifting piston MW STD and MW UP
- N - Level floating switch

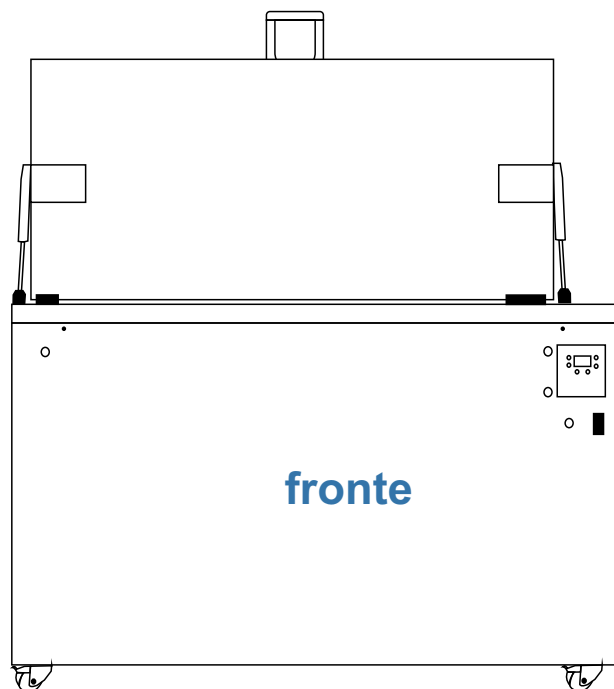
## EXPLODED VIEW OF SPARE PARTS MULTI WASH MW 4 UP



## External side B

- P - Linear actuator left/right for basket lifting
- R - Technopolymer hinge without micro
- S - Inox brackets for piston MW4 UP

# EXPLODED VIEW OF SPARE PARTS MULTI WASH MW 4 UP



## FRONT

- G - Control unit
- O - Illuminated bipolar switch
- Y - Emergency stop switch
- X - UP and DOWN black switch with arrow